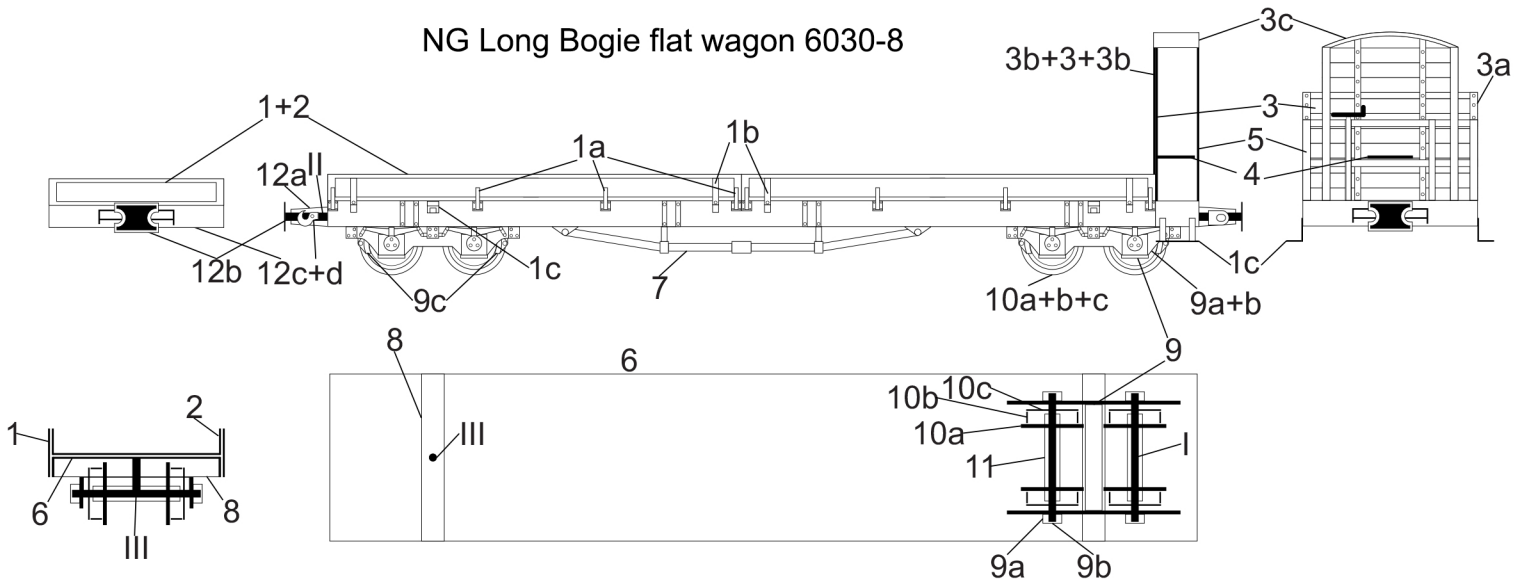


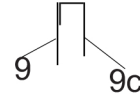
# Long Bogie Flat Wagons Instructions

For HOe - 9mm gauge

NG Long Bogie flat wagon 6030-8



Part 9c is set in the following way:

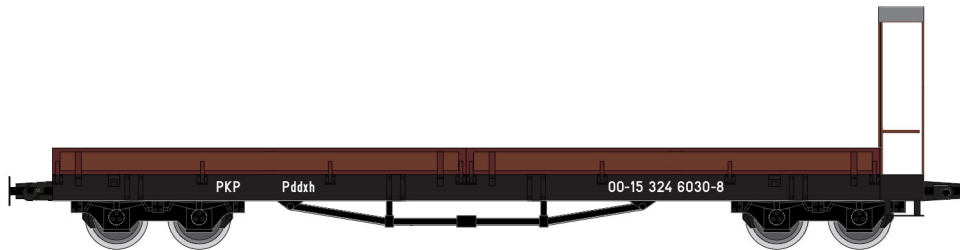


## Wire parts templates

I - Ø1mm - x4

II - Ø1mm - x2

III - Ø1mm - x2



NG Long Bogie flat wagon 6030-8

Bogie flat wagon Pddxh 95W  
No. 6030-8

